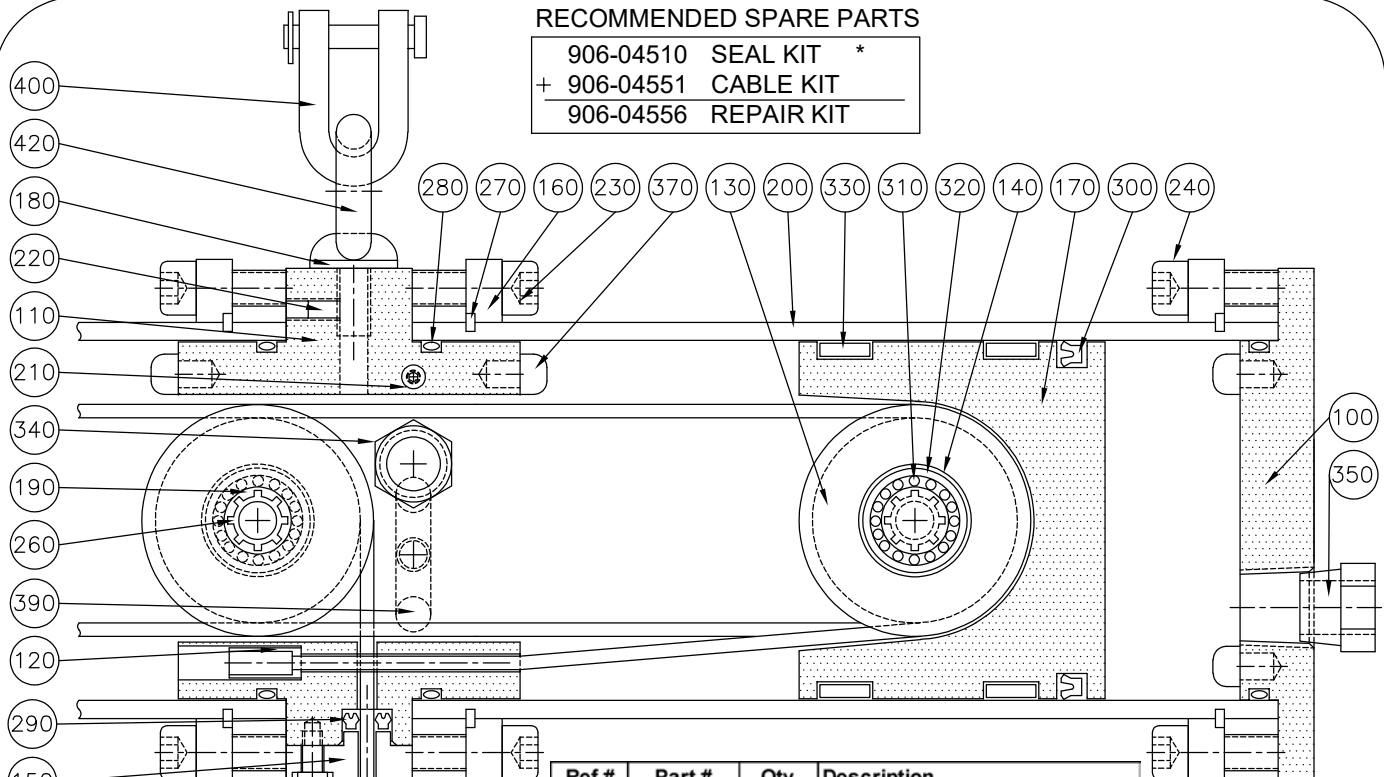


RECOMMENDED SPARE PARTS

906-04510	SEAL KIT	*
+ 906-04551	CABLE KIT	
906-04556	REPAIR KIT	



Ref #	Part #	Qty.	Description
	100	2	REAR HEAD (SM06)
	110	1	CENTER FIXED PULLEY
	120	1	CABLE ANCHOR (PH/PV06)
	130	7	SHEAVE
	140	5	SHEAVE SPACER
	150	1	CABLE GUIDE (PH/PV06)
	160	4	HEAD FLANGE
	170	2	MOVING PULLEY BLOCK
	180	3	SHIM WASHER
	190	3	CLASS L SHAFTING (1/2")
	200	2	TUBE
	210	1	BHCS 10-32 X 1/4" (S.S.)
	220	1	SHSS 10-24 X 1/4"
	230	8	SHCS 1/4-20 X 1-1/4"
	240	8	SHCS 1/4-20 X 1" ALLOY
	250	2	BHCS 1/4-28 X 1/2" (S.S.)
	260	6	SPIDER CLIP
	270	4	RETAINING RING (HEAD
*	280	4	O-RING, HEAD SEAL
*	290	1	CABLE SEAL P06 (NEW
*	300	2	U-CUP SEAL (FOR PISTON)
	310	7	NEEDLE BEARING
	320	24	THRUST WASHER
	330	4	WEAR BAND 3-1/4"
	340	1	MALE ADAPTER 3/8" NPT
	350	2	BREATHER VENT (3/8")
	360	1	THIMBLE (1/8")
*	370	8	BUMPER
	380	2	WIRE ROPE CLIPS (OPTIONAL)
	390	1	SHOULDER EYE BOLT M8-
	400	1	SHACKLE (3/8" GALV
	410	2	CRIMP SLEEVE
	420	1	SHOULDER EYE BOLT M10
	430	1	CABLE ASSEMBLY W/SLEEVE