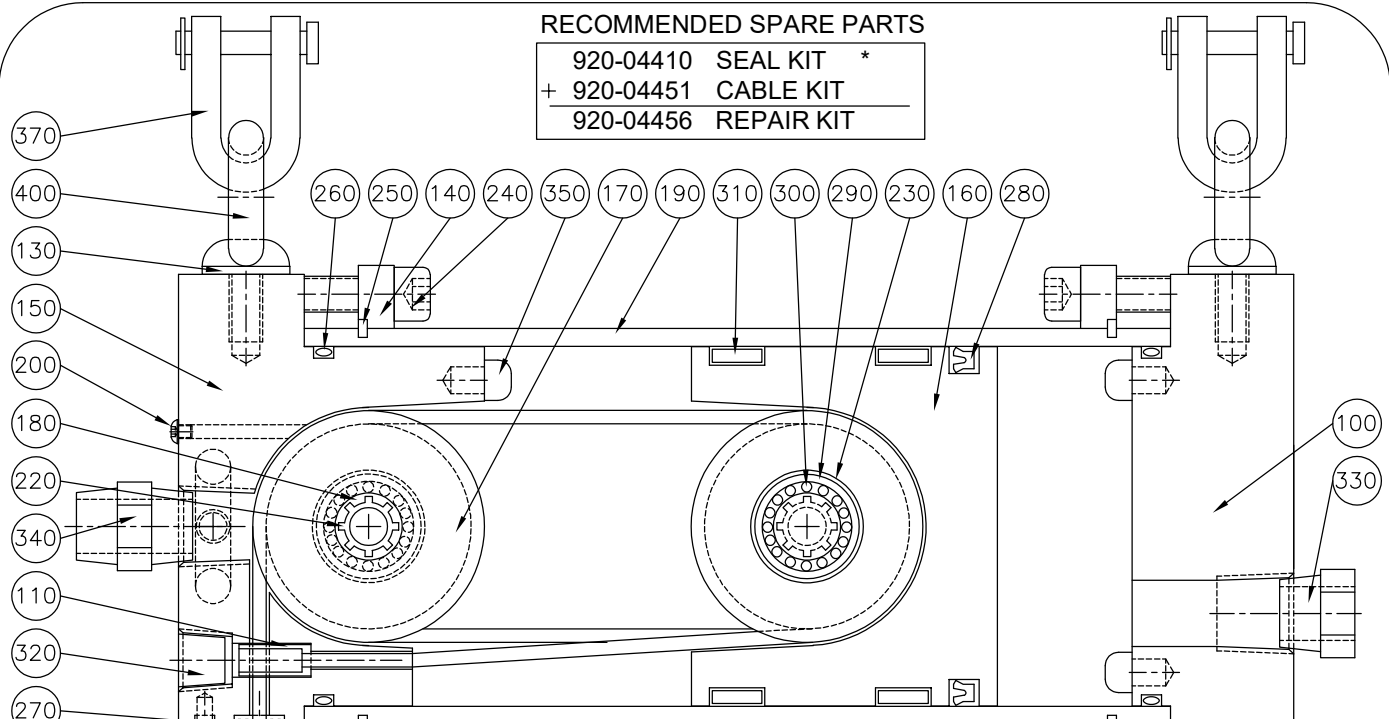


RECOMMENDED SPARE PARTS

920-04410	SEAL KIT	*
+ 920-04451	CABLE KIT	
920-04456	REPAIR KIT	



Ref #	Part #	Qty.	Description
	100	1	REAR HEAD (PH20)
	110	1	CABLE ANCHOR (PH/PV20)
	120	1	CABLE GUIDE (PH/PV20)
	130	3	SHIM WASHER (PH20)
	140	2	HEAD FLANGE (PH/PV20)
	150	1	FIXED PULLEY BLOCK
	160	1	MOVING PULLEY BLOCK
	170	4	SHEAVE
	180	2	CLASS L SHAFTING (1")
	190	1	TUBE
	200	1	BHCS 10-32 X 1/4" (S.S.)
	210	2	BHCS 1/4-28 X 1/2" (S.S.)
	220	4	SPIDER CLIP (PH/PV20)
	230	4	SHEAVE SPACER
	240	8	SHCS 3/8-16 X 1-3/4" (S.S.)
	250	2	RETAINING RING (HEAD)
*	260	2	O-RING, HEAD SEAL
*	270	1	CABLE SEAL
*	280	1	PISTON SEAL
	290	8	THRUST WASHER
	300	4	NEEDLE BEARING
	310	2	WEARBAND 6"
	320	1	PIPE PLUG (3/8 NPT)
	330	1	BREATHER VENT (1/2")
	340	1	MALE ADAPTER 1/2" NPT
*	350	4	BUMPER
	360	1	THIMBLE (1/4")
	370	2	SHACKLE (7/16" GALV SAFE)
	380	2	CRIMP SLEEVE
	390	2	ROPE CLIPS (OPTIONAL)
	400	3	SHOULDER EYE BOLT
	410	1	CABLE ASSY W/ SLEEVE