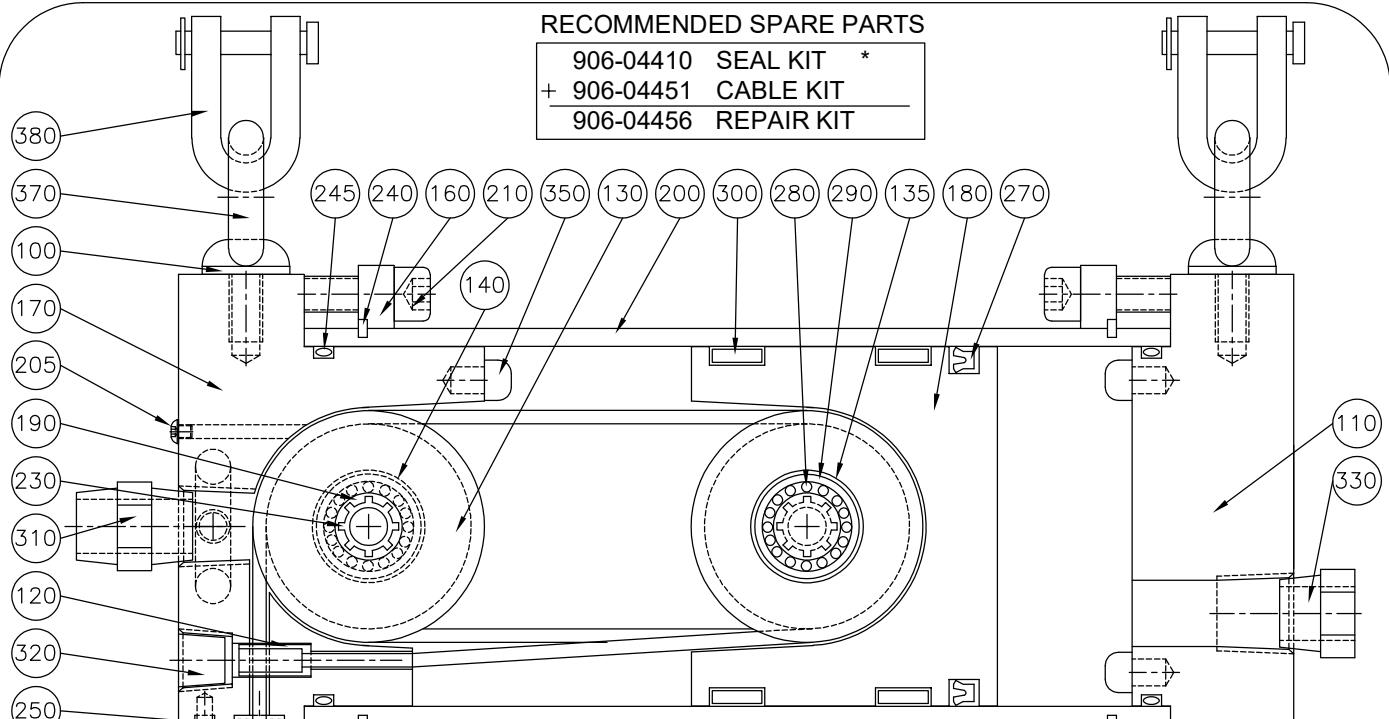


RECOMMENDED SPARE PARTS

906-04410	SEAL KIT	*
+ 906-04451	CABLE KIT	
906-04456	REPAIR KIT	



Ref #	Part #	Qty.	Description
	100	3	SHIM WASHER
	110	1	REAR HEAD (HORIZ.)
	120	1	CABLE ANCHOR SLEEVE
	130	6	SHEAVE
	135	2	SHEAVE SPACER (6:1 MPB)
	140	1	SHEAVE SPACER
	150	1	CABLE GUIDE, NEW M06
	160	2	HEAD FLANGE
	170	1	FIXED PULLEY BLOCK
	180	1	MOVING PULLEY BLOCK
	190	2	THOMPSON SHAFT (1/2")
	200	1	TUBE
	205	1	BHCS 10-32 X 1/4" (S.S.)
	210	8	SHCS 1/4-20 X 1-1/4"
	220	2	BHCS 1/4-28 X 1/2" (S.S.)
	230	4	SPIDER CLIP
	240	2	RETAINING RING (HEAD
*	245	2	O-RING, HEAD SEAL
*	250	1	CABLE SEAL M06 (NEW
*	270	1	U-CUP SEAL (FOR
	280	6	NEEDLE BEARING
	290	20	THRUST WASHER
	300	2	WEAR BAND
	310	1	MALE ADAPTER 3/8" NPT
	320	2	PIPE PLUG (1/8 NPT)
	330	1	BREATHER VENT (3/8")
	340	1	THIMBLE (1/8")
*	350	4	BUMPER
	360	2	ROPE CLIPS (OPTIONAL)
	370	3	SHOULDER EYE BOLT
	380	2	SHACKLE (3/8" GALV
	390	2	CRIMP SLEEVE
	400	1	CABLE ASSY W/ SLEEVE