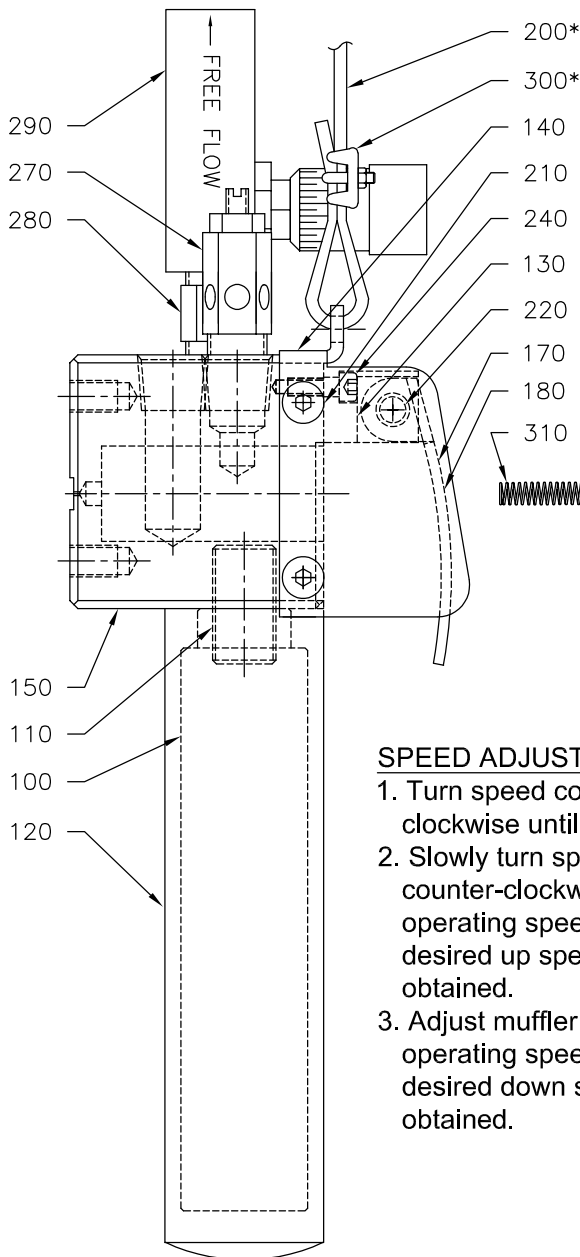


**HOOK-UP**

1. Attach load to safety hook.  
Make sure load is secure.
2. Make sure all lines are secure.
3. Connect filtered, lubricated and regulated air supply to air inlet (80 - 100 PSI).

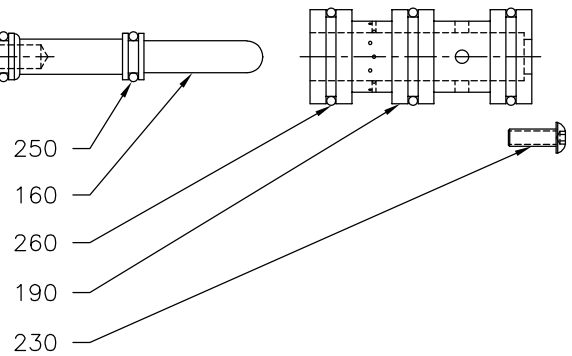
**PARTS LIST**

Ref#	Part #	Qty.	Units	Description
100	101-07004	1	Each	HANDLE
110	101-07005	1	Each	SET SCREW 1/2-20 X 1"
120	105-07004	1	Each	FOAM GRIP (SLIM)
130	105-07008	1	Each	LEVER HOUSING (SH, PH)
140	105-07100	1	Each	THUMB GUARD
150	105-07101	1	Each	BODY (PRO-HANDLE)
160	105-07102	2	Each	METERING SPOOL (PRO)
170	105-07103	1	Each	THUMB LEVER (RED)
180	105-07104	1	Each	THUMB LEVER (GREEN)
190	105-07105	2	Each	CARTRIDGE (PRO-
200 *	203-10000	72	Inches	CABLE - 1/16 X 3/32
210	301-01316	4	Each	BHCS 10-32 X 1/4" (S.S.)
220	301-01704	1	Each	LEVER PIN (ALL
230	305-07001	2	Each	BHCS 6-32 X 3/8"
240	315-76321	2	Each	SHCS 6-32 X 3/8
250	401-00412	6	Each	O-RING
260	406-00406	6	Each	O-RING
270	601-03001	1	Each	BREATHER VENT
280	601-05011	1	Each	NIPPLE (1/4 MALE)
290	601-05400	1	Each	JN2 FLOW CONTROL 1/4"
300 *	803-02500	2	Each	ROPE CLIP
310	805-04211	2	Each	SPRING (FOR PRO



**SPEED ADJUSTMENT**

1. Turn speed control (290) clockwise until air is shut off.
2. Slowly turn speed control counter-clockwise while operating speed handle until desired up speed is obtained.
3. Adjust muffler (270) while operating speed handle until desired down speed is obtained.

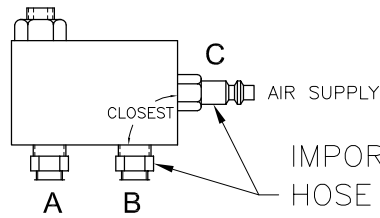


**909-00068**  
**REPAIR KIT FOR PRO HANDLE**  
  
(CONTAINS ALL O-RINGS AND SPRINGS, #250, #260, & #310)

**\*NOTE:**  
#200 & #300 ARE NOT INCLUDED WITH "CONTROL ONLY", BUT ARE INCLUDED WITH CONTROL PACKAGE.

# PRO HANDLE CONTROL HOSE CONNECTIONS

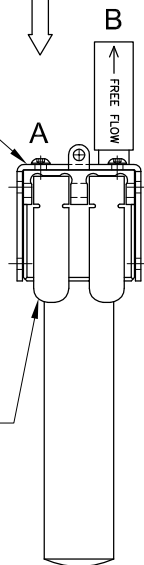
REVISION DATE: 11-5-2008



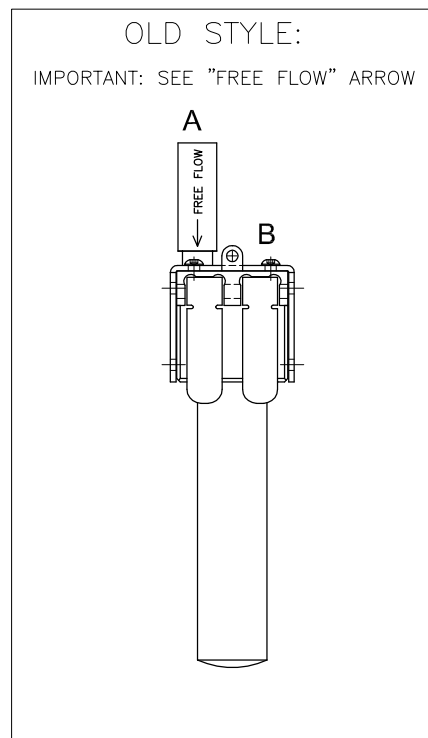
IMPORTANT:  
HOSE FITTING "B" IS CLOSEST TO  
AIR SUPPLY FITTING "C".

CONNECT "A" TO "A", AND "B" TO "B".

"A" IS ON THE LEFT,  
"B" IS ON THE RIGHT.



THUMB LEVERS MUST BE  
ON THIS SIDE, FACING YOU  
IN DETERMINING "A" AND "B".



OLD STYLE:

IMPORTANT: SEE "FREE FLOW" ARROW

TRI-MOTION INDUSTRIES  
5688 W. CRENSHAW  
TAMPA, FL. 33634  
PH: (813) 884-6600  
FX: (813) 884-6800