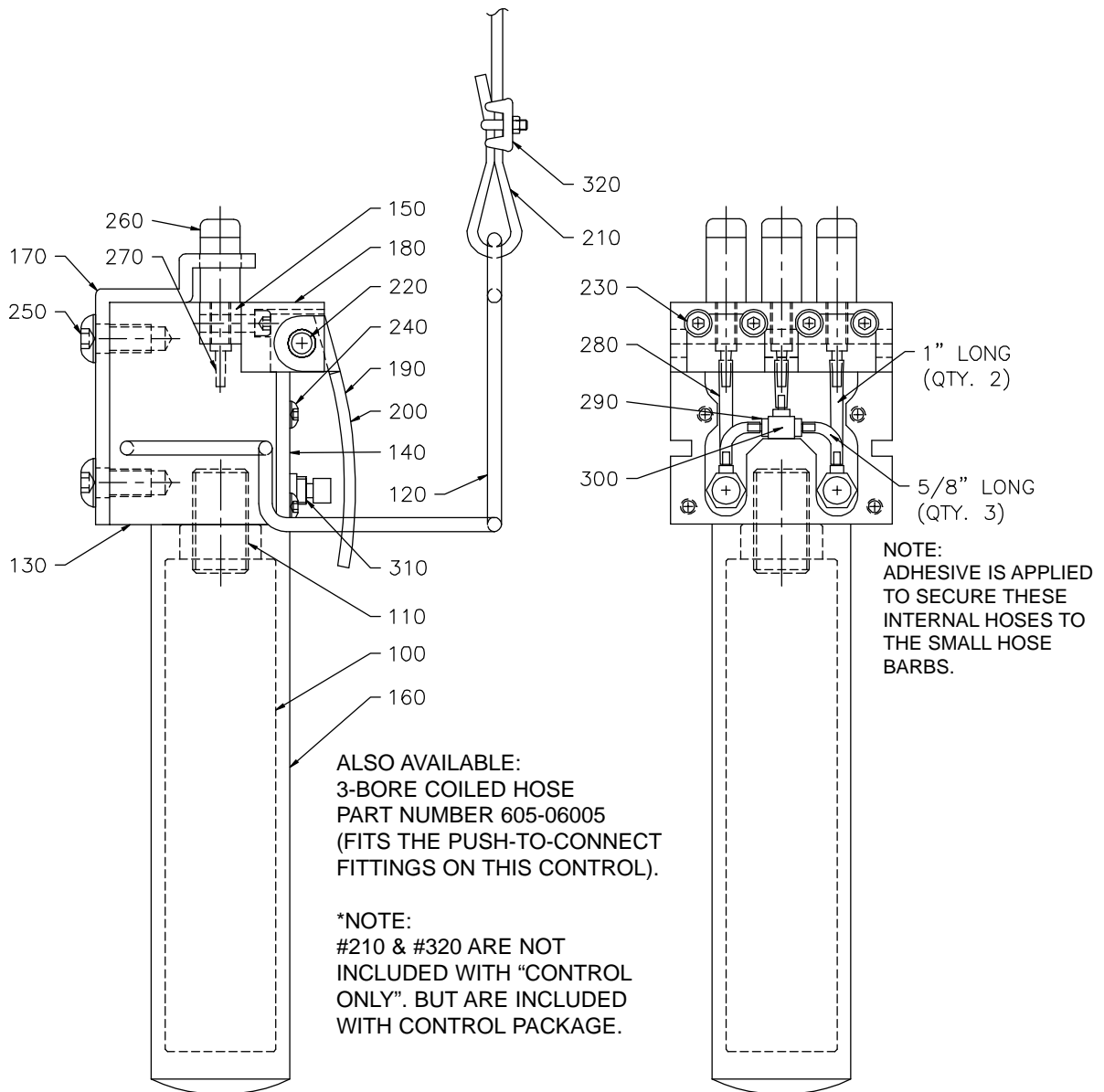


PARTS LIST

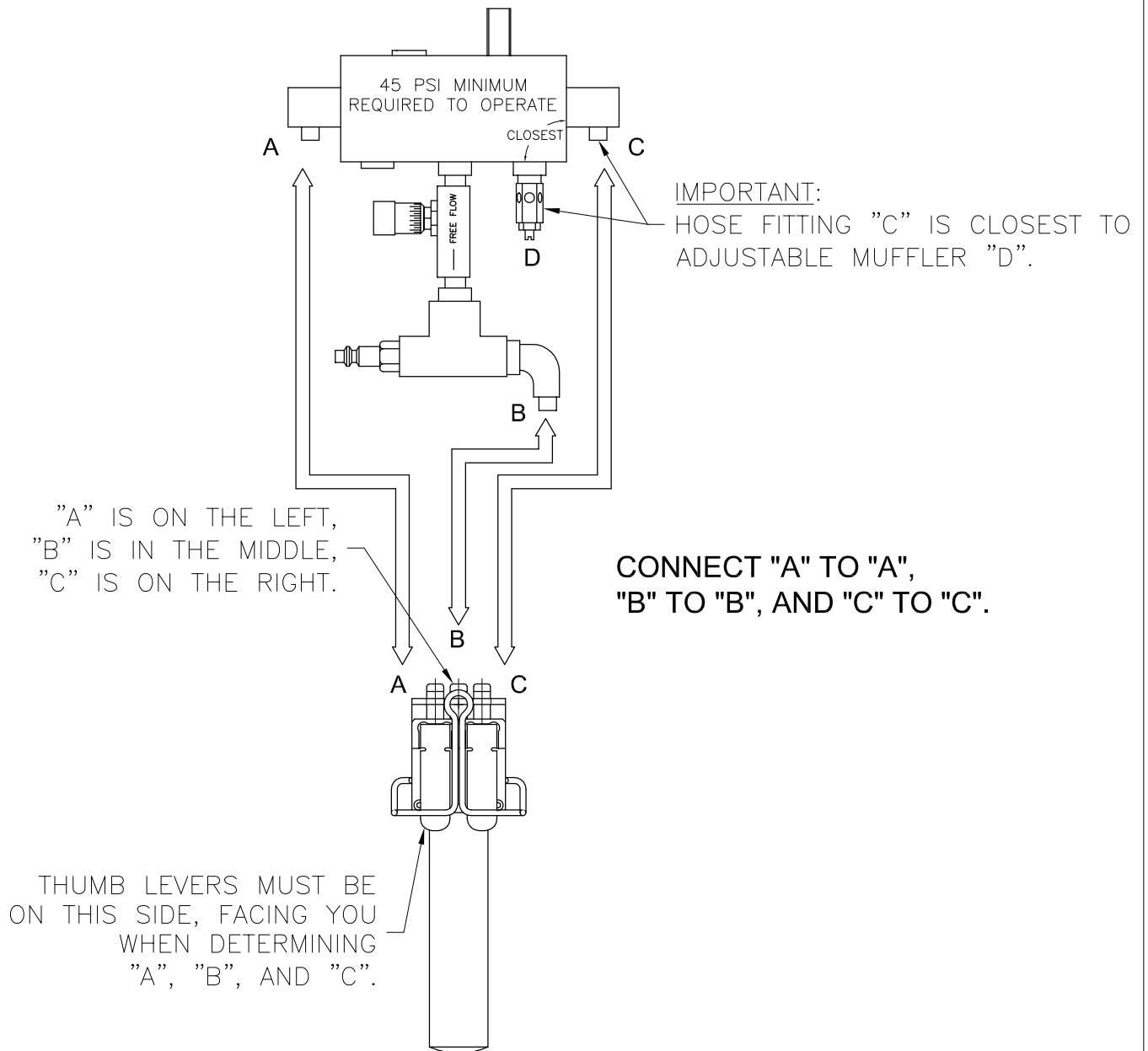
Ref. #	Part #	Qty.	Units	Description
100	101-07004	1	Each	HANDLE
110	101-07005	1	Each	THREADED ROD
120	105-07000	1	Each	THUMB GUARD SAFETY
130	105-07001	1	Each	BODY (SLIM/DUAL SH)
140	105-07002	1	Each	VALVE MTG PLATE
150	105-07003	1	Each	HOSE FITTING MANIFOLD
160	105-07004	1	Each	FOAM GRIP FOR SLIM
170	105-07005	1	Each	GUARD FOR HOSE FITTINGS
180	105-07008	1	Each	LEVER HOUSING-DUAL
190	105-07103	1	Each	THUMB LEVER (RED)
200	105-07104	1	Each	THUMB LEVER (GREEN)
210	203-10000	6	Feet	CABLE - 1/16 X 3/32

Ref. #	Part #	Qty.	Units	Description
220	301-01704	1	Each	LEVER PIN (SPEED)
230	305-07000	4	Each	6-32 X 3/4 SHCS
240	305-07001	4	Each	6-32 X 3/8 BHCS,
250	305-07002	3	Each	1/4-28 X 1/2 BHCS,
260	605-06000	3	Each	FITTING, 10-32PTC
270	605-06001	3	Each	FITTING, BARB 10-32
280	605-06002	4	Inches	TUBING 1/16 I.D.
290	605-06003	3	Each	FITTING, BARB 3-56
300	605-06004	1	Each	THREE-WAY TEE 3-56
310	605-06005	2	Each	PUSH BUTTON VALVE
320	803-02500	2	Each	ROPE CLIPS



SINGLE ACTING SLIM HANDLE CONTROL HOSE CONNECTIONS

REVISION DATE: 11-5-2008



TRI-MOTION INDUSTRIES
5688 W. CRENSHAW
TAMPA, FL. 33634
PH: (813) 884-6600
FX: (813) 884-6800