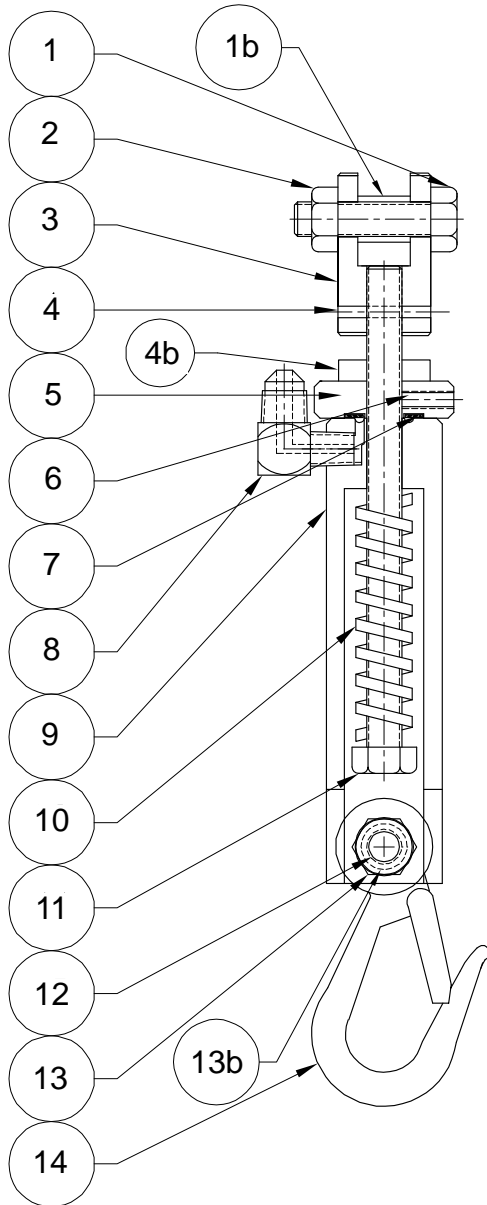


**FOR MEDIUM BALANCE CONTROL  
125 - 375 LBS.**



**PARTS LIST SERVO**

|      | <b>DESCRIPTION</b> | <b>PART NO.</b> |
|------|--------------------|-----------------|
| 1.   | HHCS 3/8-16 X 1.5  | 306-01213       |
| 1b.  | CLEVIS SLEEVE      | 101-08001       |
| 2.   | STOVER LOCKNUT     | 301-01400       |
| 3.   | CLEVIS             | 101-05000       |
| 4.   | ROLL PIN           | 301-01702       |
| 4b.  | HEX NUT            | 301-01730       |
| 5.   | KNURLED NUT        | 101-05011       |
| Q6.  | SET SCREW          | 301-01720       |
| 7.   | SEAL               | 401-05000       |
| 8.   | COMP. FITTING      | 601-03009       |
| 9.   | SML SERVO BODY     | 101-05010       |
| 10.  | SPRING             | 801-04202       |
| 11.  | 3/8-24 X 5.5 BOLT  | 301-01228       |
| 12.  | HHCS 3/8-16 X 1.75 | 301-01229       |
| 13.  | 3/8-16 STOVER NUT  | 301-01400       |
| 13b. | BOTTOM SLEEVE      | 101-08001       |
| 14.  | SNAP HOOK          | 801-02700       |
| 15.  | HOSE ASSEMBLY      | 901-25000       |

Q SET SCREW REPLACED BY NUT (4b)  
EFFECTIVE 8-19-02

15

#15 SOLD SEPARATELY FROM  
SERVO-BLEED

