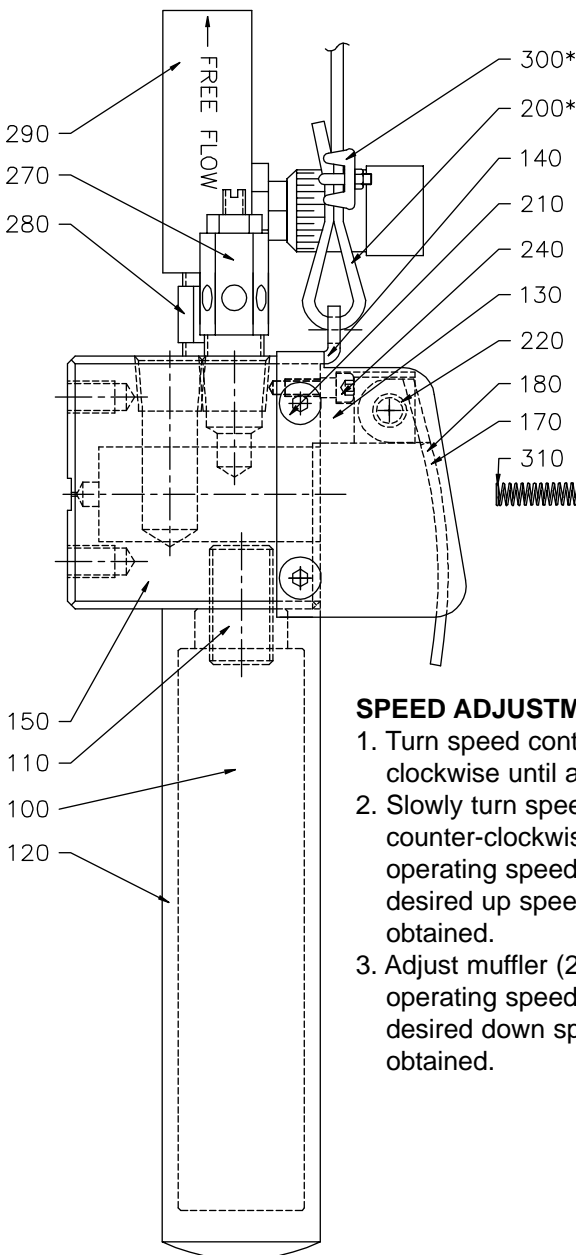


HOOK-UP

1. Attach load to safety hook.
Make sure load is secure.
2. Make sure all lines are secure.
3. Connect filter, lubricated and regulated air supply to air inlet (80 - 100 PSI).

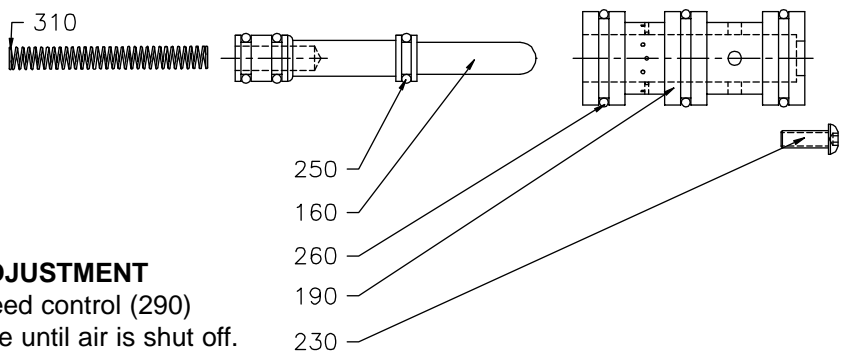


SPEED ADJUSTMENT

1. Turn speed control (290) clockwise until air is shut off.
2. Slowly turn speed control counter-clockwise while operating speed handle until desired up speed is obtained.
3. Adjust muffler (270) while operating speed handle until desired down speed is obtained.

PARTS LIST

| Ref# | Part # | Qty. | Units | Description |
|-------|-----------|------|--------|--------------------------|
| 100 | 101-07004 | 1 | Each | HANDLE |
| 110 | 101-07005 | 1 | Each | SET SCREW 1/2-20 X 1" |
| 120 | 105-07004 | 1 | Each | FOAM GRIP (SLIM) |
| 130 | 105-07008 | 1 | Each | LEVER HOUSING (SH, PH) |
| 140 | 105-07100 | 1 | Each | THUMB GUARD |
| 150 | 105-07101 | 1 | Each | BODY (PRO-HANDLE) |
| 160 | 105-07102 | 2 | Each | METERING SPOOL (PRO) |
| 170 | 105-07103 | 1 | Each | THUMB LEVER (RED) |
| 180 | 105-07104 | 1 | Each | THUMB LEVER (GREEN) |
| 190 | 105-07105 | 2 | Each | CARTRIDGE (PRO- |
| 200 * | 203-10000 | 72 | Inches | CABLE - 1/16 X 3/32 |
| 210 | 301-01316 | 4 | Each | BHCS 10-32 X 1/4" (S.S.) |
| 220 | 301-01704 | 1 | Each | LEVER PIN (ALL |
| 230 | 305-07001 | 2 | Each | BHCS 6-32 X 3/8" (S.S) |
| 240 | 315-76321 | 4 | Each | SHCS 6-32 X 3/8 |
| 250 | 401-00412 | 6 | Each | O-RING |
| 260 | 406-00406 | 6 | Each | O-RING |
| 270 | 601-03001 | 1 | Each | BREATHER VENT |
| 280 | 601-05011 | 1 | Each | NIPPLE (1/4 MALE) |
| 290 | 601-05400 | 1 | Each | JF2 FLOW CONTROL 1/4" |
| 300 * | 803-02500 | 2 | Each | ROPE CLIP |
| 310 | 805-04211 | 2 | Each | SPRING (FOR PRO |

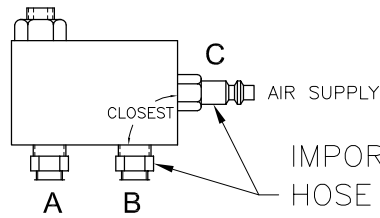


**909-00068
REPAIR KIT FOR PRO SPEED
HANDLE
(CONTAINS ALL O-RINGS AND
SPRINGS, #250, #260 & #310)**

NOTE:
#200 & #300 ARE NOT INCLUDED WITH
"CONTROL ONLY", BUT ARE INCLUDED
WITH CONTROL PACKAGE.

PRO HANDLE CONTROL HOSE CONNECTIONS

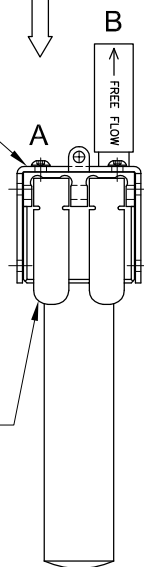
REVISION DATE: 11-5-2008



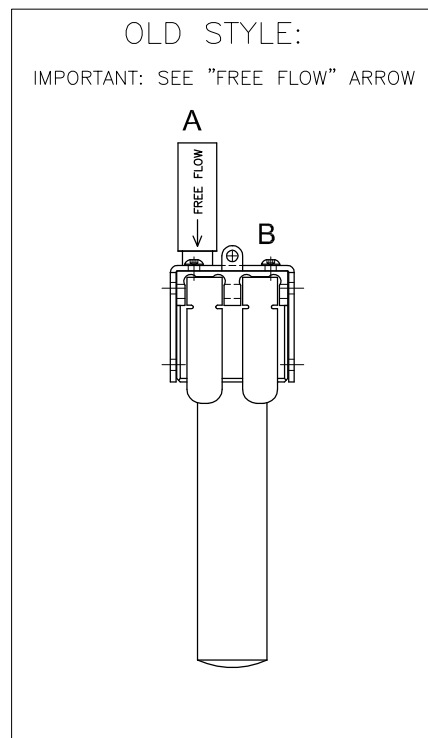
IMPORTANT:
HOSE FITTING "B" IS CLOSEST TO
AIR SUPPLY FITTING "C".

CONNECT "A" TO "A", AND "B" TO "B".

"A" IS ON THE LEFT,
"B" IS ON THE RIGHT.



THUMB LEVERS MUST BE
ON THIS SIDE, FACING YOU
IN DETERMINING "A" AND "B".



TRI-MOTION INDUSTRIES
5688 W. CRENSHAW
TAMPA, FL. 33634
PH: (813) 884-6600
FX: (813) 884-6800