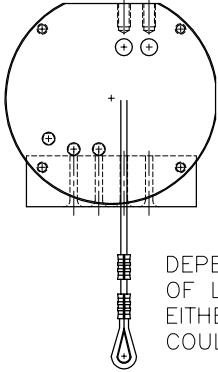
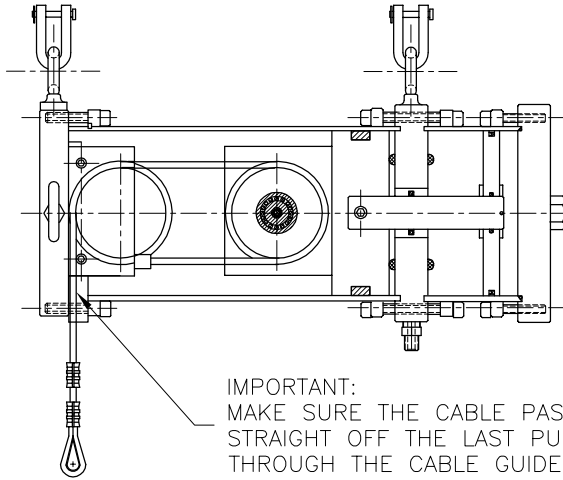
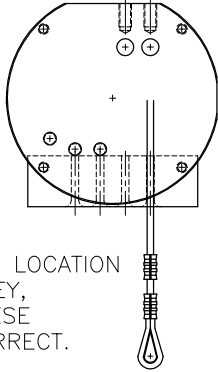


CORRECT

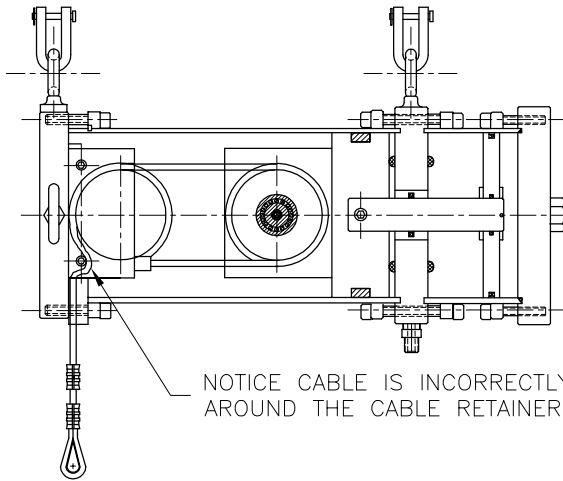
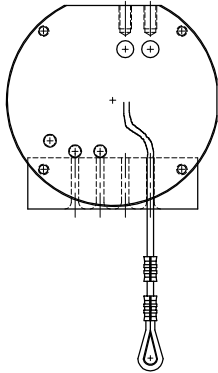
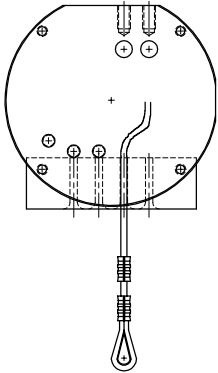


DEPENDING ON LOCATION OF LAST PULLEY, EITHER OF THESE COULD BE CORRECT.



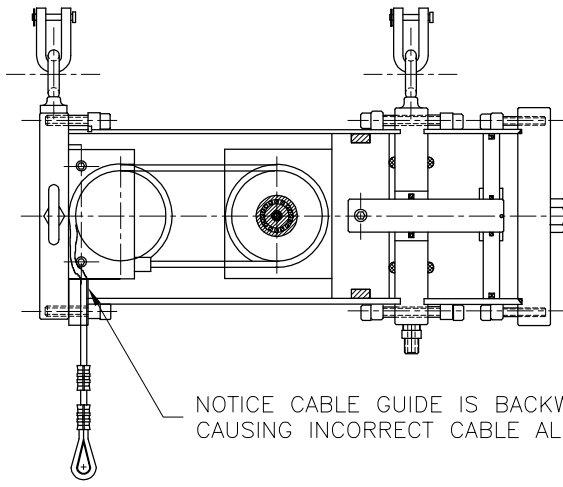
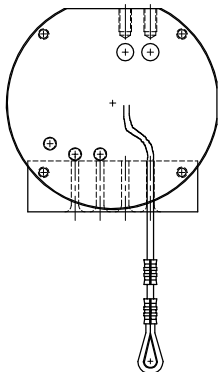
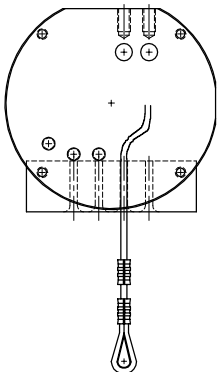
IMPORTANT: MAKE SURE THE CABLE PASSES STRAIGHT OFF THE LAST PULLEY THROUGH THE CABLE GUIDE.

INCORRECT



NOTICE CABLE IS INCORRECTLY LOOPED AROUND THE CABLE RETAINER SCREW

INCORRECT



NOTICE CABLE GUIDE IS BACKWARDS CAUSING INCORRECT CABLE ALIGNMENT