

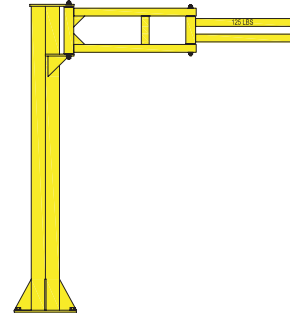
## 125-550 LB. CAPACITY

Additional sizes available upon request.

The Robotrol articulating jib allows for easy placement of products where standard jib or overhead cranes do not allow. It's unique swivel arm allows for movement around corners and other obstructions.

Articulating jib cranes provide quick return on investment through increased productivity, reduced injuries and improved safety.

Both base and wall mounted models are available.

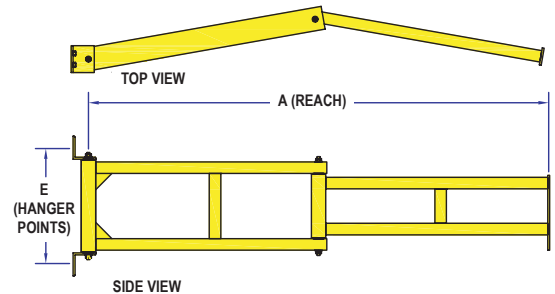
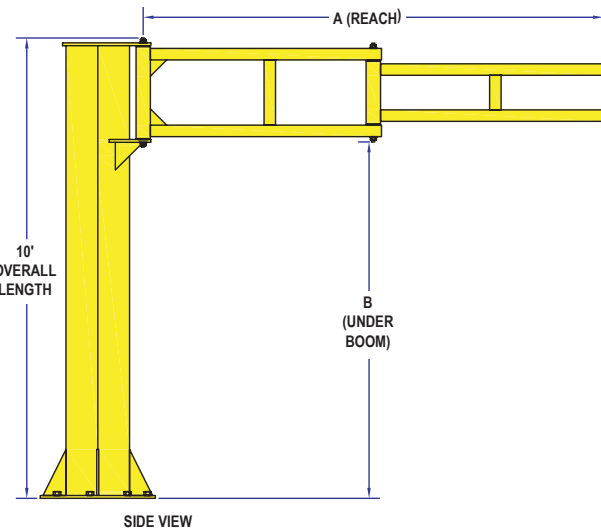


### WALL MOUNTED

125 LB. CAPACITY		
Model No.	Reach (A)	Hanger Points (E)
RAW-12-6	6'	18"
RAW-125-8	8'	18"
RAW-125-10	10'	24"
RAW-125-12	12'	26"

225 LB. CAPACITY		
Model No.	Reach (A)	Hanger Points (E)
RAW-225-6	6'	18"
RAW-225-8	8'	18"
RAW-225-10	10'	24"
RAW-225-12	12'	26"

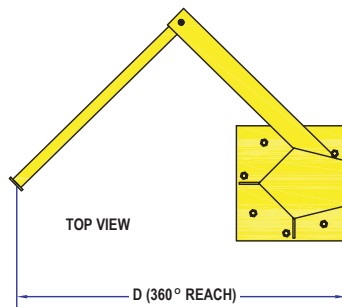
550 LB. CAPACITY		
Model No.	Reach (A)	Hanger Points (E)
RAW-550-6	6'	24"
RAW-550-8	8'	24"
RAW-550-10	10'	26"
RAW-550-12	12'	30"



### BASE MOUNTED

125 LB. CAPACITY			
Model No.	Reach (A)	HUB (B)	360° Reach (D)
RAB-12-6-10	6'	8' 8"	3' 8"
RAB-125-8-10	8'	8' 3"	5' 2"
RAB-125-10-10	10'	7' 7"	6' 10"
RAB-125-12-10	12'	7' 3"	8' 3"

225 LB. CAPACITY			
Model No.	Reach (A)	HUB (B)	360° Reach (D)
RAB-225-6-10	6'	8' 8"	3' 8"
RAB-225-8-10	8'	8' 3"	5' 2"
RAB-225-10-10	10'	7' 7"	6' 10"
RAB-225-12-10	12'	7' 3"	8' 3"



550 LB. CAPACITY			
Model No.	Reach (A)	HUB (B)	360° Reach (D)
RAB-550-6-10	6'	8' 3"	3' 8"
RAB-550-8-10	8'	7' 7"	5' 2"
RAB-550-10-10	10'	7' 3"	6' 10"
RAB-550-12-10	12'	6' 9"	8' 3"

#### Standard Features

- Compatible with air, vacuum, and electric lifts, hoists and balancers.
- Precision ball bearing construction for ease of movement.
- Meets or exceeds all OSHA, ANSI, CMAA, HMI, & NEC requirements.
- CAD approval drawings for ease of layout.
- Safety yellow paint.

Products subject to change without notice - consult factory.

#### Available Options

- Rotation stops (main or secondary arm)
- Adjustable rotation brake
- 360° rotation available on premium models
- Elevated level adjustment
- Portable base
- Anchor bolts
- Base plate templates
- Custom paint
- Additional lug to support Bal-Trol® balancing hoist

Additional lengths, heights, and capacities available