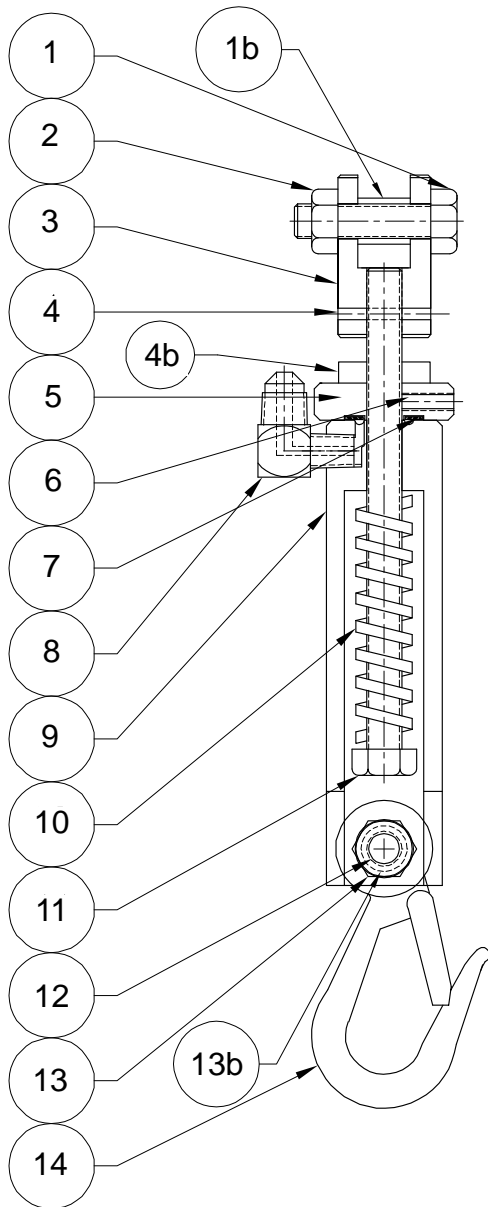


**FOR MEDIUM BALANCE CONTROL  
125 - 375 LBS.**



**PARTS LIST SERVO**

	<b>DESCRIPTION</b>	<b>PART NO.</b>
1.	HHCS 3/8-16 X 1.5	306-01213
1b.	CLEVIS SLEEVE	101-08001
2.	STOVER LOCKNUT	301-01400
3.	CLEVIS	101-05000
4.	ROLL PIN	301-01702
4b.	HEX NUT	301-01730
5.	KNURLED NUT	101-05011
Q6.	SET SCREW	301-01720
7.	SEAL	401-05000
8.	COMP. FITTING	601-03009
9.	SML SERVO BODY	101-05010
10.	SPRING	801-04202
11.	3/8-24 X 5.5 BOLT	301-01228
12.	HHCS 3/8-16 X 1.75	301-01229
13.	3/8-16 STOVER NUT	301-01400
13b.	BOTTOM SLEEVE	101-08001
14.	SNAP HOOK	801-02700
15.	HOSE ASSEMBLY	901-25000

Q SET SCREW REPLACED BY NUT (4b)  
EFFECTIVE 8-19-02

15

#15 SOLD SEPARATELY FROM  
SERVO-BLEED

