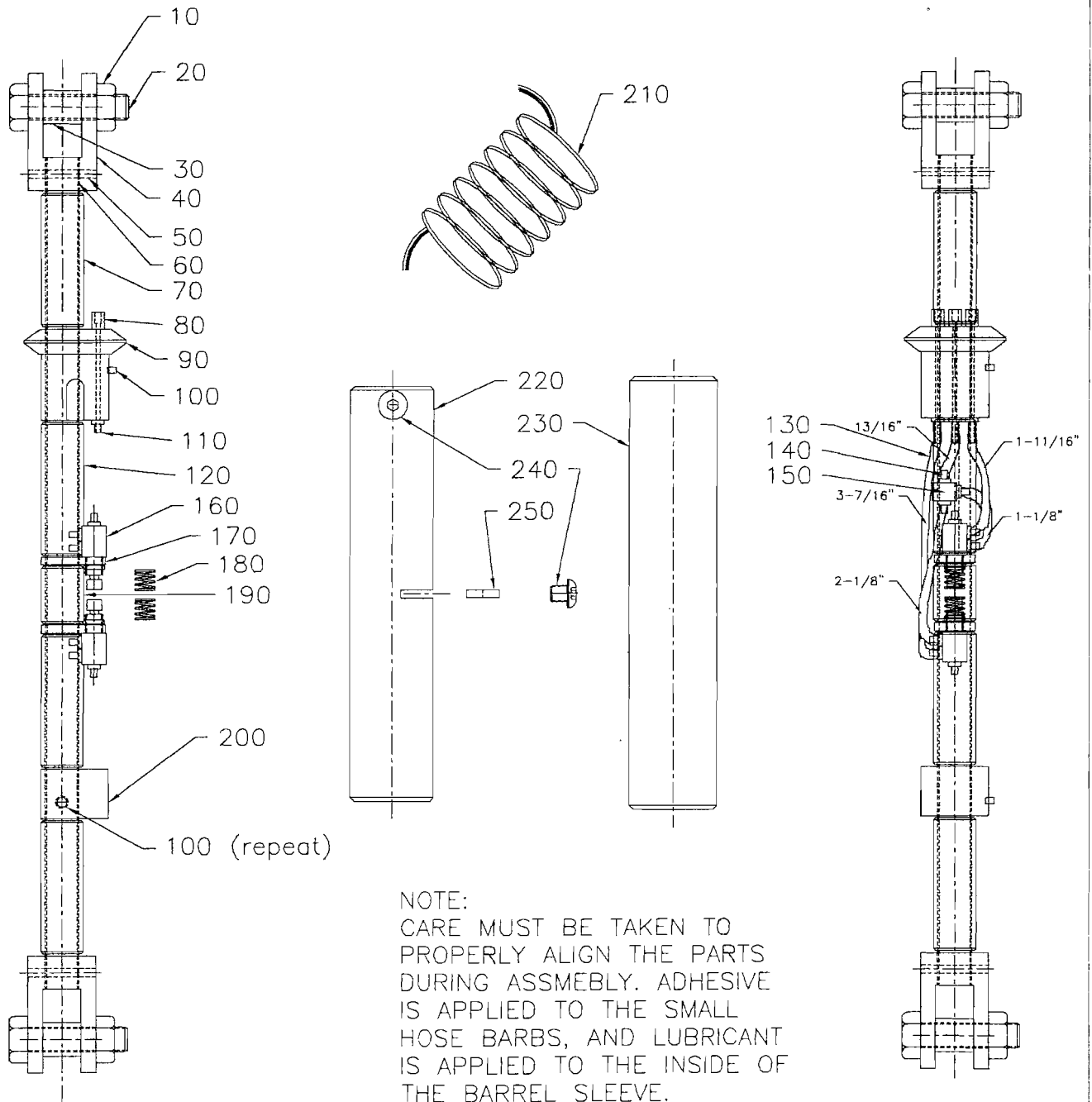


# SLIM-LINE SENSI-TOUCH (SL) PAGE 1 OF 2

905-06000 (CONTROL ONLY) ... (SEE ALSO 905-09000 FOR COMPLETE CONTROL KIT)



TRI-MOTION INDUSTRIES  
PH: (813) 884-6600  
FX: (813) 884-6800

REVISION DATE: 10-12-2005  
C:\1T\PM\SLIM LINE SENSI TOUCH BOM.DWG  
W.J.P.

# SLIM-LINE SENSI-TOUCH (SL) PAGE 2 OF 2

Reference Number	Part	Part Number	Quantity
10	3/8-16 LOCKNUT	301-01400	2
20	3/8-16 X 1-1/2 HHCS	306-01213	2
30	BOLT SLEEVE	101-08001	2
40	CLEVIS	106-05000	2
50	1/8 X 1 ROLL PIN	301-01702	2
60	SHAFT	105-06012	1
70	EXTERNAL SPACER	101-01814	2
80	10-32 PTC FITTING FOR 5/32 O.D. TUBING	605-06000	3
90	UPPER BODY	105-06000	1
100	10-24 X 1/4 SET SCREW	301-01720	2
110	10-32 BARBED FITTING FOR 1/16 I.D. TUBING	605-06001	3
120	INTERNAL SPACER	101-01814	2
130	1/16 I.D. TUBING	605-06002	.75"
130	1/16 I.D. TUBING	605-06002	1.13"
130	1/16 I.D. TUBING	605-06002	1.63"
130	1/16 I.D. TUBING	605-06002	2.13"
130	1/16 I.D. TUBING	605-06002	3.38"
140	3-56 BARBED FITTING FOR 1/16 I.D. TUBING	605-06003	3
150	3-56 FEMALE 3-WAY TEE	605-06004	1
160	SUBMINIATURE PUSHBUTTON VALVE	605-06005	2
170	VALVE MOUNTING PLATE	105-06005	2
180	COMPRESSION SPRING	605-06017	2
190	CENTRAL SPACER	105-01814	1
200	LOWER BODY	105-06007	1
210	5/32 O.D., 3/32 I.D. THREE BORE SPIRAL HOSE	605-06006	1
220	BARREL SLEEVE	105-06001	1
230	FOAM SLEEVE COVER	105-06002	1
240	10-24 X 1/4 BHCS	301-01316	2
250	ACTUATION PLATE	105-06006	1

TRI-MOTION INDUSTRIES  
 PH: (813) 884-6600  
 FX: (813) 884-6800

REVISION DATE: 7-3-2002  
 C:\1T\PM\SLIM LINE SENSI TOUCH BOM.DWG  
 W.J.P.