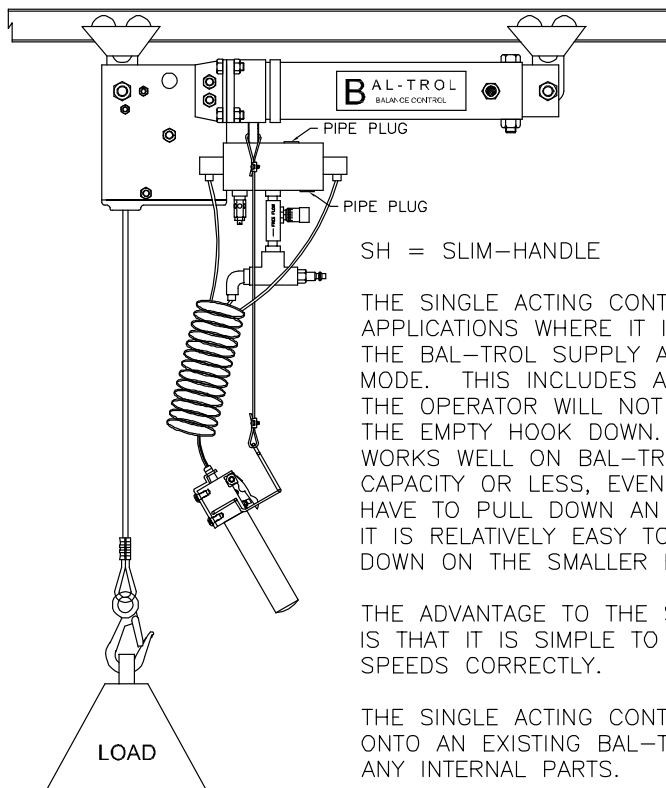


INSTALLATION ADJUSTMENTS AND OPERATON: “SINGLE ACTING” SLIM HANDLE 905-19000 & 905-19001



SH = SLIM-HANDLE

THE SINGLE ACTING CONTROL IS IDEAL FOR APPLICATIONS WHERE IT IS NOT REQUIRED THAT THE BAL-TROL SUPPLY A POWER-ASSISTED DOWN MODE. THIS INCLUDES ALL APPLICATIONS WHERE THE OPERATOR WILL NOT HAVE TO MANUALLY PULL THE EMPTY HOOK DOWN. THIS CONTROL ALSO WORKS WELL ON BAL-TROLS WITH 150 LBS CAPACITY OR LESS, EVEN IF THE OPERATOR WILL HAVE TO PULL DOWN AN EMPTY HOOK, BECAUSE IT IS RELATIVELY EASY TO PULL AN EMPTY HOOK DOWN ON THE SMALLER BAL-TROLS.

THE ADVANTAGE TO THE SINGLE ACTING CONTROL IS THAT IT IS SIMPLE TO SET THE UP AND DOWN SPEEDS CORRECTLY.

THE SINGLE ACTING CONTROL CAN BE RETROFIT ONTO AN EXISTING BAL-TROLS WITHOUT CHANGING ANY INTERNAL PARTS.

UP & DOWN SPEED ADJUSTMENTS

Warning: Very high speeds are possible.
Begin with low speeds, gradually increase to desired speeds.

