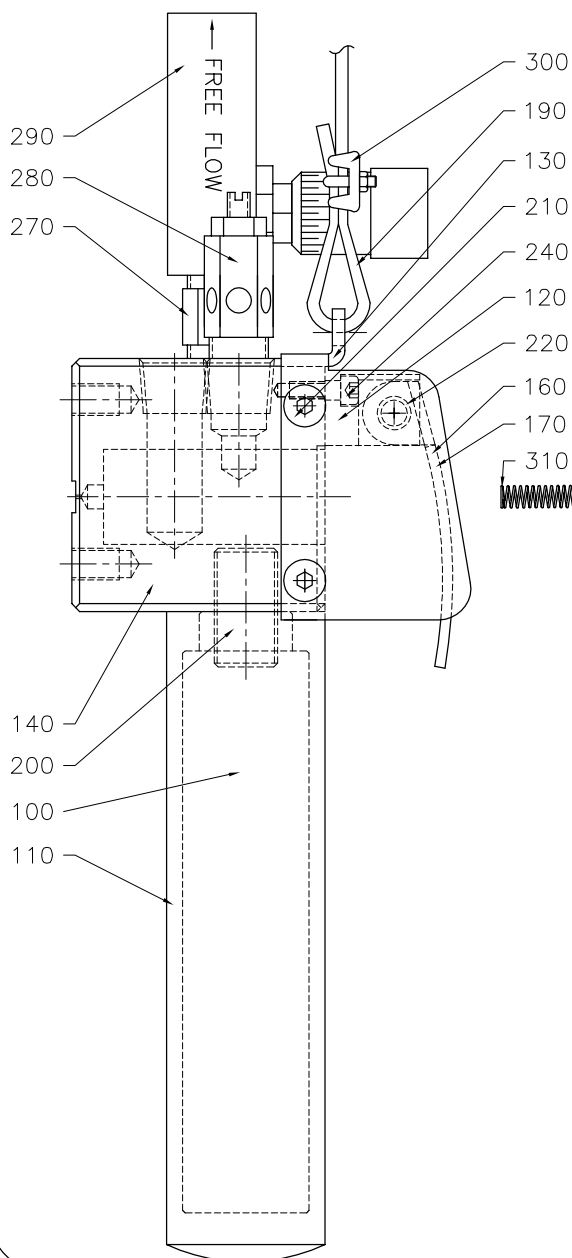
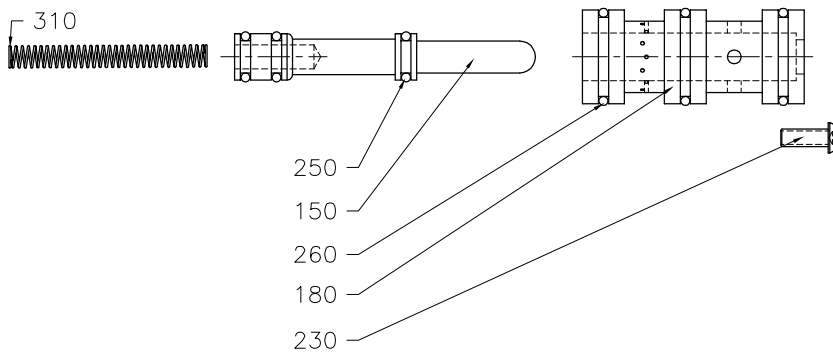


PRO SPEED HANDLE (CONTROL ONLY)
905-16100

2006-09-07



Ref#	Part #	Qty.	Units	Description
100	101-07004	1	Each	HANDLE
110	105-07004	1	Each	FOAM GRIP
120	105-07008	1	Each	LEVER HOUSING
130	105-07100	1	Each	THUMB GUARD
140	105-07101	1	Each	BODY FOR PRO-HANDLE
150	105-07102	2	Each	METERING SPOOL PRO
160	105-07103	1	Each	THUMB LEVER (RED)
170	105-07104	1	Each	THUMB LEVER (GREEN)
180	105-07105	2	Each	CARTRIDGE FOR PRO-HANDLE
190	203-10000	72	Inches	CABLE - 1/16 X 3/32
200	232-01416	1.06	Inches	THREADED ROD PLATED
210	301-01316	4	Each	BHCS (S.S) 10-32 X 1/4"
220	301-01704	1	Each	LEVER PIN
230	305-07001	2	Each	BHCS (S.S) 6-32 X 3/8
240	315-76321	4	Each	SHCS 6-32 X 3/8
250	401-00412	6	Each	O-RING
260	406-00406	6	Each	O-RING
270	601-03001	1	Each	MUFFLER (ADJUSTABLE)
280	601-05011	1	Each	1/4 MALE NIPPLE
290	601-05400	1	Each	JF2 FLOW CONTROL 1/4"
300	803-02500	1	Each	ROPE CLIP
310	805-04211	2	Each	SPRING FOR PRO-HANDLE



909-00068
REPAIR KIT FOR PRO SPEED HANDLE

(CONTAINS ALL O-RINGS AND SPRINGS,
#250, #260, & #310)