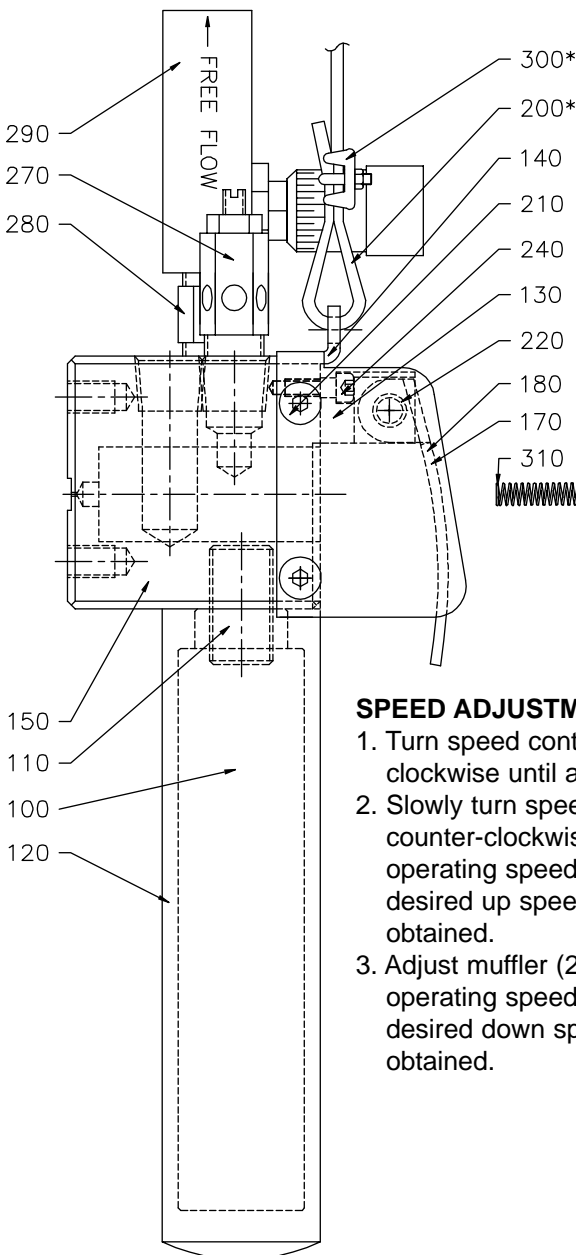


HOOK-UP

1. Attach load to safety hook.
Make sure load is secure.
2. Make sure all lines are secure.
3. Connect filter, lubricated and regulated air supply to air inlet (80 - 100 PSI).

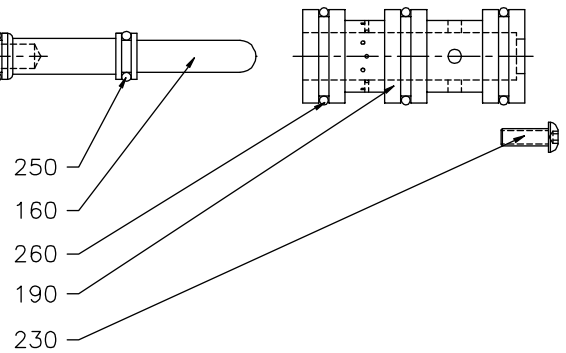


PARTS LIST

Ref#	Part #	Qty.	Units	Description
100	101-07004	1	Each	HANDLE
110	101-07005	1	Each	SET SCREW 1/2-20 X 1"
120	105-07004	1	Each	FOAM GRIP (SLIM)
130	105-07008	1	Each	LEVER HOUSING (SH, PH)
140	105-07100	1	Each	THUMB GUARD
150	105-07101	1	Each	BODY (PRO-HANDLE)
160	105-07102	2	Each	METERING SPOOL (PRO)
170	105-07103	1	Each	THUMB LEVER (RED)
180	105-07104	1	Each	THUMB LEVER (GREEN)
190	105-07105	2	Each	CARTRIDGE (PRO-
200 *	203-10000	72	Inches	CABLE - 1/16 X 3/32
210	301-01316	4	Each	BHCS 10-32 X 1/4" (S.S.)
220	301-01704	1	Each	LEVER PIN (ALL
230	305-07001	2	Each	BHCS 6-32 X 3/8" (S.S)
240	315-76321	4	Each	SHCS 6-32 X 3/8
250	401-00412	6	Each	O-RING
260	406-00406	6	Each	O-RING
270	601-03001	1	Each	BREATHER VENT
280	601-05011	1	Each	NIPPLE (1/4 MALE)
290	601-05400	1	Each	JF2 FLOW CONTROL 1/4"
300 *	803-02500	2	Each	ROPE CLIP
310	805-04211	2	Each	SPRING (FOR PRO

SPEED ADJUSTMENT

1. Turn speed control (290) clockwise until air is shut off.
2. Slowly turn speed control counter-clockwise while operating speed handle until desired up speed is obtained.
3. Adjust muffler (270) while operating speed handle until desired down speed is obtained.



**909-00068
REPAIR KIT FOR PRO SPEED
HANDLE
(CONTAINS ALL O-RINGS AND
SPRINGS, #250, #260 & #310)**

NOTE:
#200 & #300 ARE NOT INCLUDED WITH "CONTROL ONLY", BUT ARE INCLUDED WITH CONTROL PACKAGE.