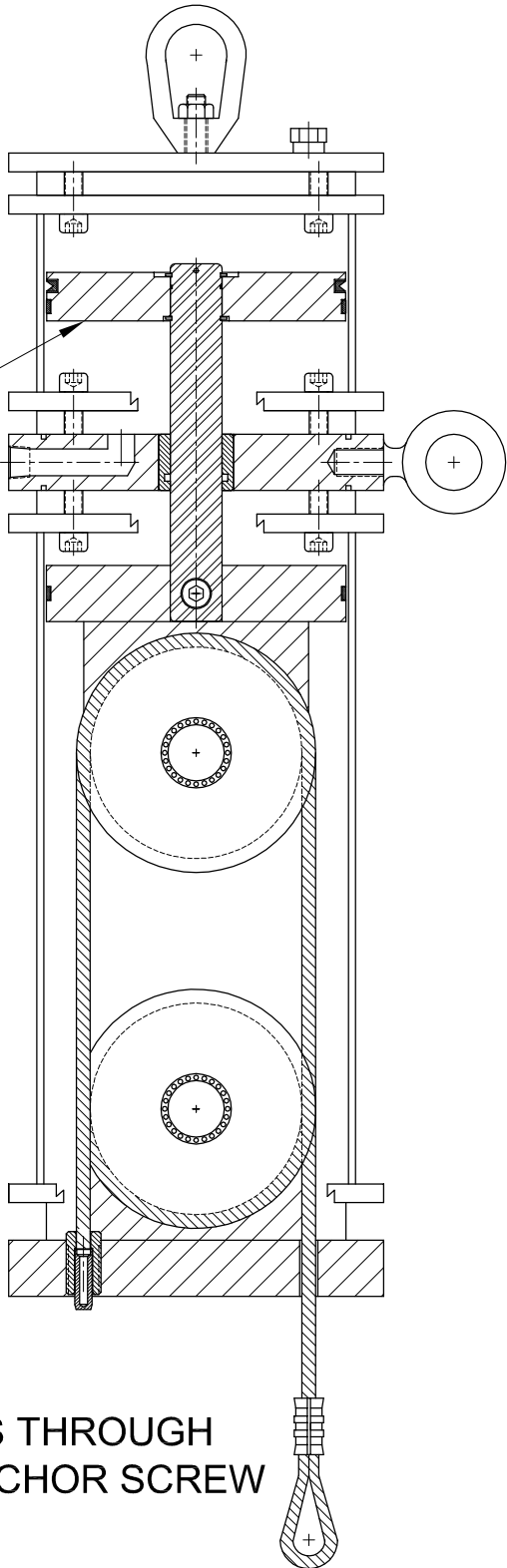


POWER
MODULE

TRAVEL
MODULE

CABLE INSERTS THROUGH
PLATED STEEL ANCHOR SCREW



This document was created with Win2PDF available at <http://www.win2pdf.com>.
The unregistered version of Win2PDF is for evaluation or non-commercial use only.
This page will not be added after purchasing Win2PDF.