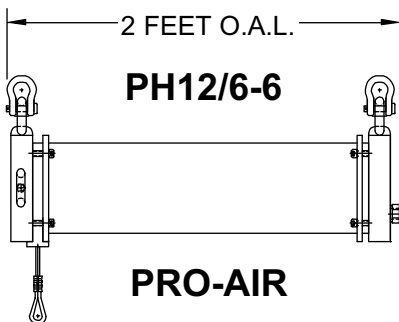


SPACE SAVING

SAME CAPACITY (200 LBS.)
SAME TRAVEL (6 FEET)



TRI-MOTION INDUSTRIES...

Bal-Trol® Air Balancers/Air Balancing Hoists feature three distinct styles of units and six control packages. Selection is made on the following IMPORTANT Criteria:

1. **WEIGHT** (What Bal-Trol® Needs to Lift)
2. **APPLICATION** (Type of Control Required)
 - BALANCER** - When a tool or fixture must give a degree of weightlessness.
 - SENSI-TOUCH®** - Pick & Place application for loads small in size.
 - SLIM-LINE SENSI-TOUCH®** - Smaller in size, fits comfortably in most hands.
 - SPEED HANDLE** - Pick & Place application for large loads.
 - PRO HANDLE** - Proportional speed up & down, similar to your car accelerator.
 - SLIM HANDLE** - Smaller, works on any size Bal-trol®.

3. **SPACE REQUIRED FOR MOUNTING** - Three styles to select:

FULL CAPACITY UNITS: Offer 1:1 ratio, these units are dimensionally longer than modular units.

MODULAR UNITS: When mounting space is limited.

In the illustration, the two units have the same travel and capacity.

Six foot of travel at 200 lbs. capacity. 1:1 Ratio equal 7' O.A.L, Modular equals 3' O.A.L.

PRO-AIR UNITS: Smaller, more compact but has the same lifting capacity.

Fewer parts and less maintenance. Six foot of travel at 200 lbs. capacity equals 2' O.A.L.



This document was created with Win2PDF available at <http://www.win2pdf.com>.
The unregistered version of Win2PDF is for evaluation or non-commercial use only.
This page will not be added after purchasing Win2PDF.